

XLT-200W

170LM/W

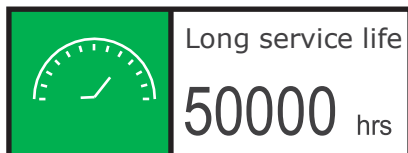
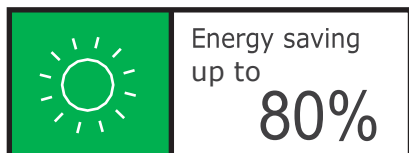


Features:

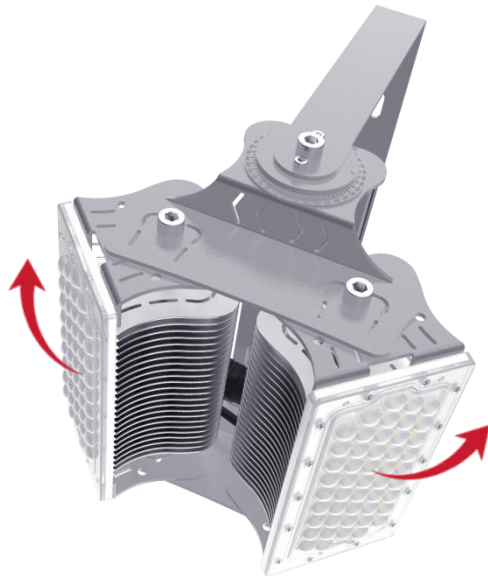
- High lumen
- Replaceable lens
- Adjustable module
- Aluminium cooling fin
- IP Grade: IP66

Areas of application:

Sports field/ Harbor/ Parking area/ Industrial site/
Stadium/ Horse arena/ Warehouse etc.



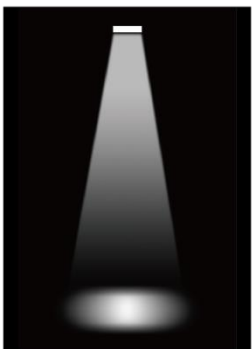
1 Parameter



Wattage	CRI	Power Factor
200W	Ra>70	>0.95
Operating Temp.	IP Grade	Luminous Flux
-40°C ~+60°C	IP66	34,000LM
Beam Angle	Rated Voltage	
10°/ 30° /60° /90°/120°	AC 100-240V 277V~ 50/60Hz	

2 Beam angle

Multiple angles are available.



10°



30°



60°

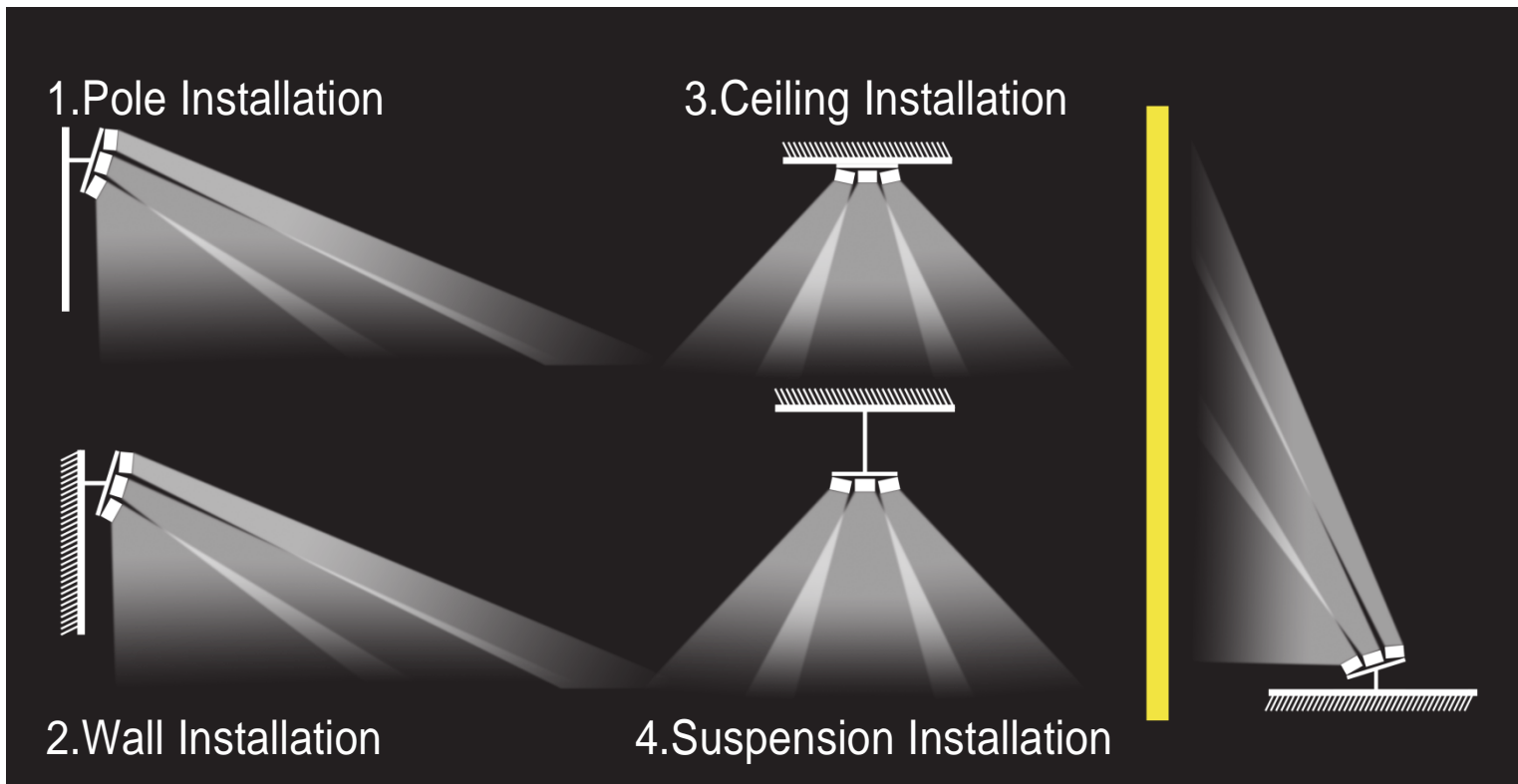


90°

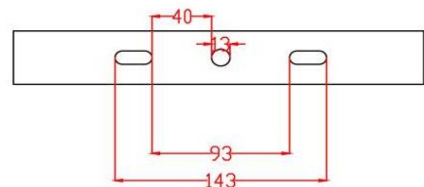
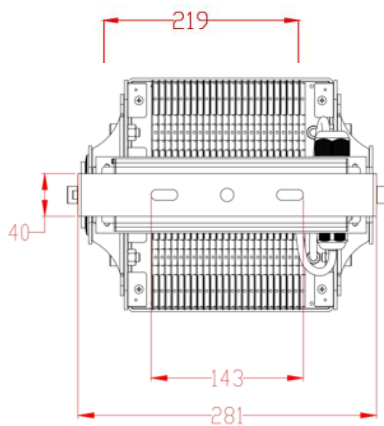
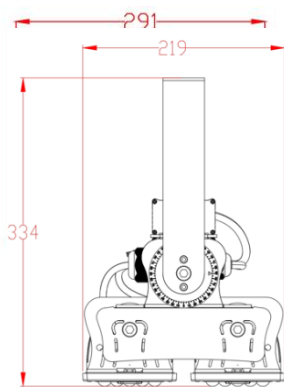


120°

3 Installation



4 Dimensions



5 Packaging

Net weight	Size of Box	Weight of Box
6.0 KG	39*29.5*23.5cm	6.6 KG