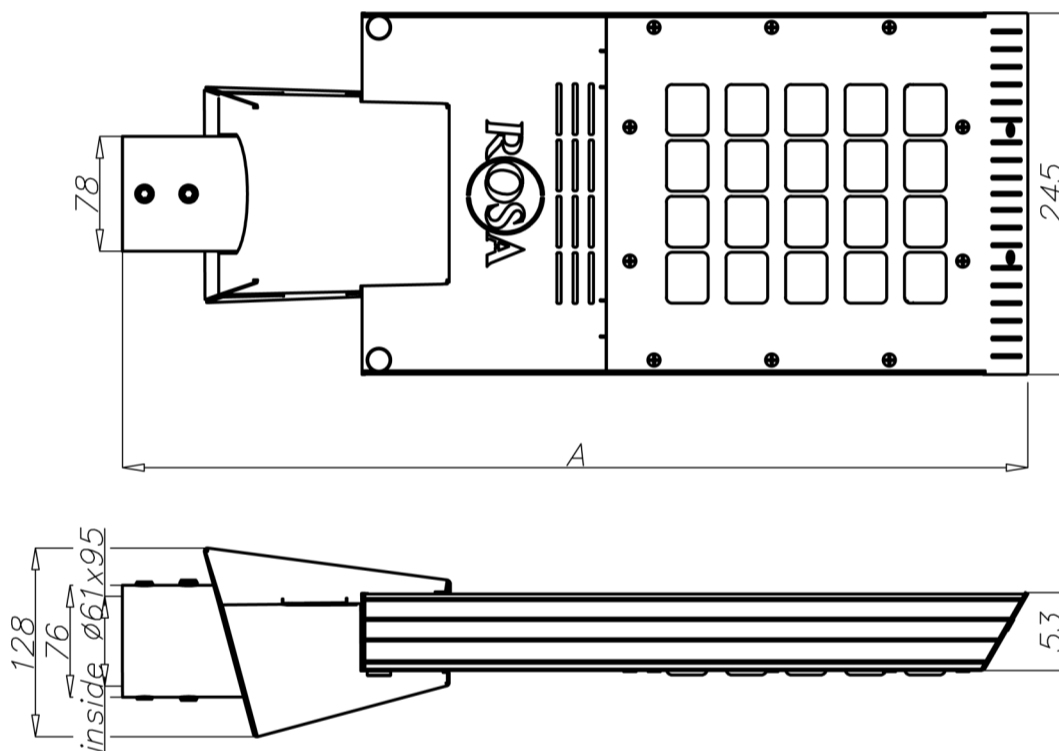


 **URSA I LED luminaire**



**Characteristic**

|   |  |
|---|--|
| Protection degree IP for optical system | IP 67  |
| Insulation class                        | II   |
| Voltage                                 | 90 V - 300 V   |
| Frequency                               | 50/60 Hz   |
| Operating temperature range             | from -40°C to +55°C  |
| Material                                | aluminium alloy, anodized  |
| Colour                                  | inox and graphite  |
| Assembly                                | pole top mounted Ø60 mm on 6 to 8 m column or on the extension arm |
| Optical system                          | ROSA PMMA lens   |
| LEDs type                               | CREE XM-L  |
| Colour rendering index CRI              | >75  |
| Lifetime of L70 LEDs                    | >50 000h   |

### URSA I LED luminaire

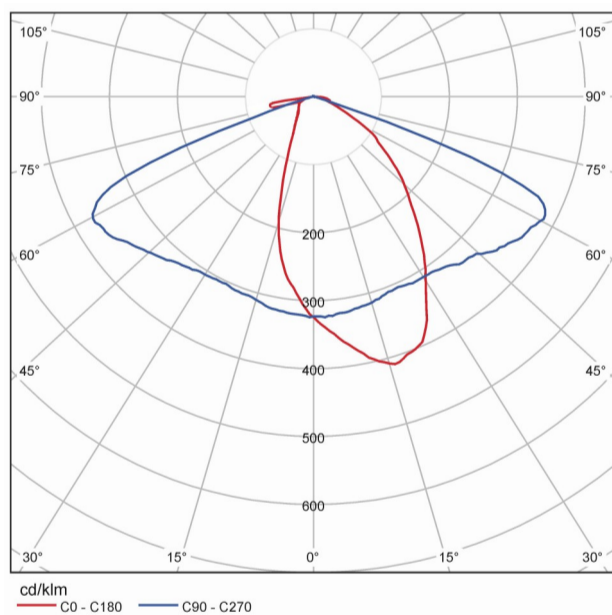
#### Technical data

| Luminaire                     | URSA I LED 48 |          | URSA I LED 60 |          | URSA I LED 72 |          |
|-------------------------------|---------------|----------|---------------|----------|---------------|----------|
|                               | 221833/6      | 221833/3 | 221834/6      | 221834/3 | 221835/6      | 221835/3 |
| Code                          | 221833/6      | 221833/3 | 221834/6      | 221834/3 | 221835/6      | 221835/3 |
| Colour temperature            | 5 000         | 3 500    | 5 000         | 3 500    | 5 000         | 3 500    |
| LEDs power [W]                | 48            |          | 60            |          | 72            |          |
| Total luminaire power [W]     | 55            |          | 68            |          | 80            |          |
| Luminous efficiency [lm/W]    | 94            | 73       | 94            | 74       | 96            | 75       |
| Luminous flux * [lm]          | 5150          | 4000     | 6400          | 5000     | 7700          | 6000     |
| LEDs amount                   | 16            |          | 20            |          | 24            |          |
| Net weight [kg]               | 6             |          | 7             |          | 8             |          |
| A – luminaire length [mm]     | 508           |          | 589           |          | 670           |          |
| Unit volume [m <sup>3</sup> ] | 0,035         |          | 0,035         |          | 0,035         |          |
| Windage [m <sup>2</sup> ]     | 0,04          |          | 0,043         |          | 0,045         |          |

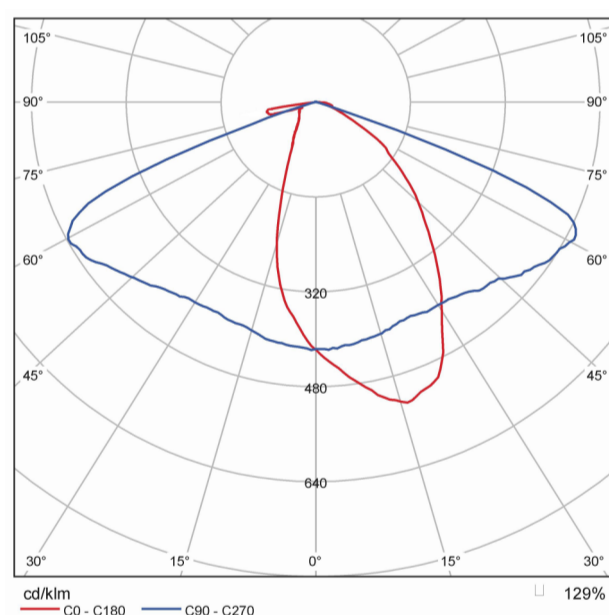
\* due to the precision class of diodes tolerance is +/- 3%

- Low Voltage Directive LVD 2006/95/WE, norm PN-EN 60598-1, PN-EN 60598-2-3
- Directive EMC 2004/108/WE, norms: PN-EN 55015, PN-EN 61547, PN-EN 61000-3-2

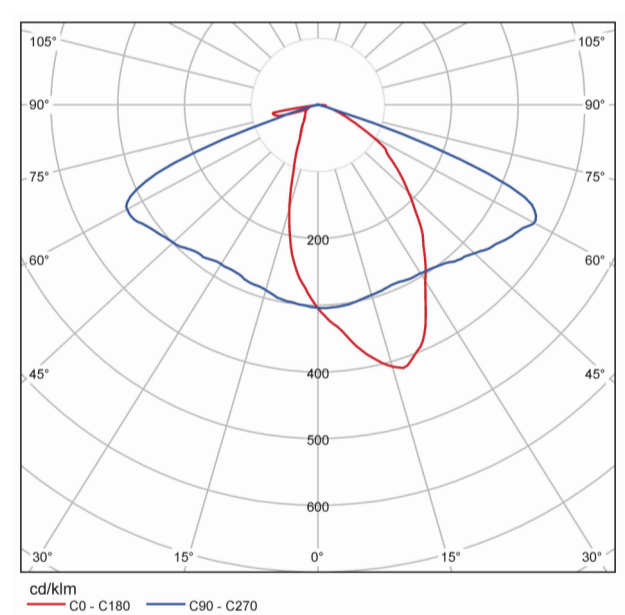
Distribution curve for URSA I LED 48 3500K



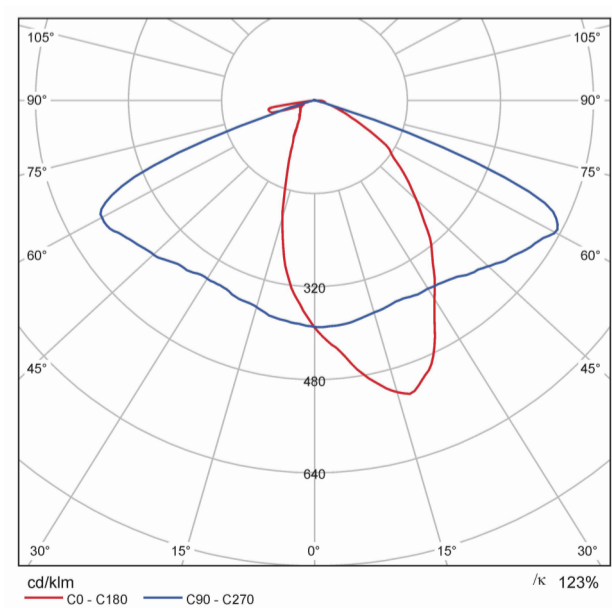
Distribution curve for URSA I LED 48 5000K



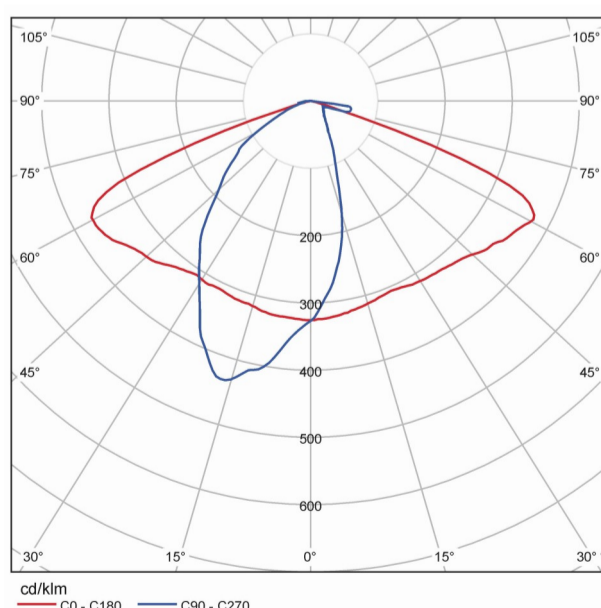
Distribution curve for URSA I LED 60 3500K



Distribution curve for URSA I LED 60 5000K



Distribution curve for URSA I LED 72 3500K



Distribution curve for URSA I LED 72 5000K

