



TECHNICAL DATA

Application	parks, pedestrians
Assembly	on columns, extension arms, aluminium and steel wall brackets, arm systems with spigot ending \varnothing 60 x 60 mm deep and on plastic poles type S and SP with spigot ending type „B”
Colour	black / LED panel inox
Ingress protection	IP 66 for the optical part and IP 54 for the driver
Material	body – UV resistant polypropylene with glass fiber
Operating temperature range	from -40°C to +40°C
Expected useful lifetime	L90B10 - 100 000 h
CRI	>70
Input voltage frequency	50/60Hz
Power factor	\geq 0.95
Control system	Luminaire has the possibility to connect to an external control system via DALI interface (optionally via analog signal 1- 10V).

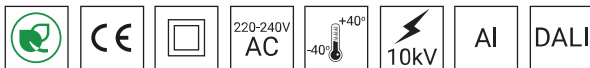


TABLE OF TYPES

Code	Symbol	LED power	Luminaire power consumption	LED forward current	Colour temperature (CCT)	LEDs luminous flux ¹	Luminaire luminous flux ¹	Luminous efficacy ¹	Unit volume	Net weight
211250/1	OS-1 LED 32	38 W	42 W	800 mA	2700 K	4950 lm	3900 lm	93 lm/W	0.1 m ³	5.2 kg
211250/3	OS-1 LED 32	38 W	42 W	800 mA	3500 K	5250 lm	4100 lm	98 lm/W	0.1 m ³	5.2 kg
211250/4	OS-1 LED 32	38 W	42 W	800 mA	4000 K	6700 lm	5300 lm	126 lm/W	0.1 m ³	5.2 kg
211250/6	OS-1 LED 32	38 W	42 W	800 mA	5000 K	6700 lm	5300 lm	126 lm/W	0.1 m ³	5.2 kg

1) tolerance +/- 5% due to LEDs accuracy

DIRECTIVES AND STANDARDS

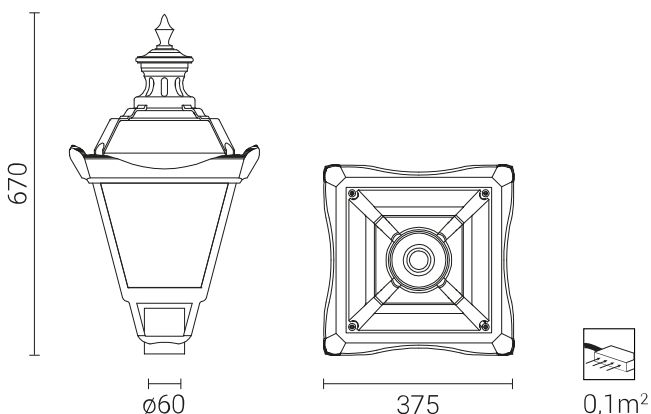
DIRECTIVES: 2014/35/UE (Official Journal of the UE L 96/357 29.03.2014), 2014/30/UE (Official Journal of the UE L 96/79 29.03.2014), 2011/65/UE, 2009/125/EC
STANDARDS: PN-EN 60598-1: 2015, PN-EN 60598-2-3: 2006, PN-EN 60529: 2003, PN-EN 62262: 2003, PN-EN 62471:2010, PN-EN 55015: 2013, PN-EN 61547: 2009, PN-EN 61000-3-2: 2014, PN-EN 61000-3-3: 2013

CHARGING DISCHARGE FROM THE LED LUMINAIRE HOUSING

In order to efficient discharge the electrostatic charge from the housing of LED fitting installed on the pole from dielectric material (non-conductive) one of the following solutions is required:

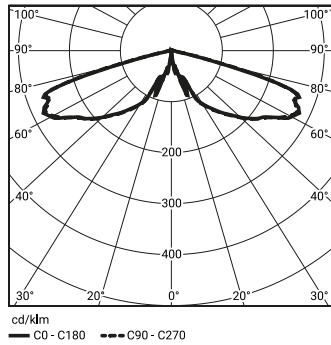
- functional grounding
- LED luminaire with an additional protection device

TECHNICAL DRAWING



PHOTOMETRIC CURVES

OS-1 LED



POWER SYSTEM FUNCTIONS

Luminaire in standard has following functions of intelligent power supply:

- Connection to outside control system by DALI interface (operation of analog signal 1-10V as an option),
- Possibility of programming multistage dimming of luminaire, up to 5 intervals in the range of from 10 to 100% of nominal power,
- Temperature protection of LED module (from overheating) in case of unintentional luminaire operation during the,
- Regulation of power / luminous flux – the option of setting another value than the catalogue in the range of 30-100% of nominal one,

ACCECTABLE QUANTITY OF LUMINAIRES ON ONE CIRCUIT

Overcurrent switches MCB type B or C

Luminaire	Typ	2A	4A	6A	10A	16A	20A	25A
OS-1 LED	B	3	6	10	16	26	32	40
	C	3	6	16	27	44	54	67

Fuse – type gG and GL

Luminaire	2A	4A	6A	10A	16A	20A	25A
OS 1 LED	1	10	19	25	50	68	97