



LED POST TOP LIGHT

GTS on Top SERIES



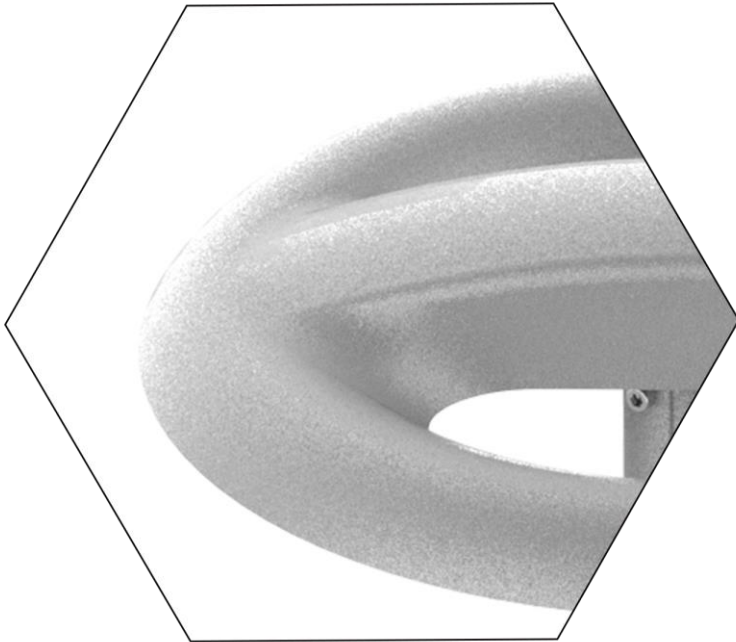
RoHS



Ideal for parking lot, playground, square, park, highway, greenbelt
golf course, and etc.

1

Feature



▶ Unique Design

Decorate your public space

▶ Hydrophobic surface

Too smooth to gather any dirt

▶ Rust resistant

All aluminium body

▶ Highly Efficient System

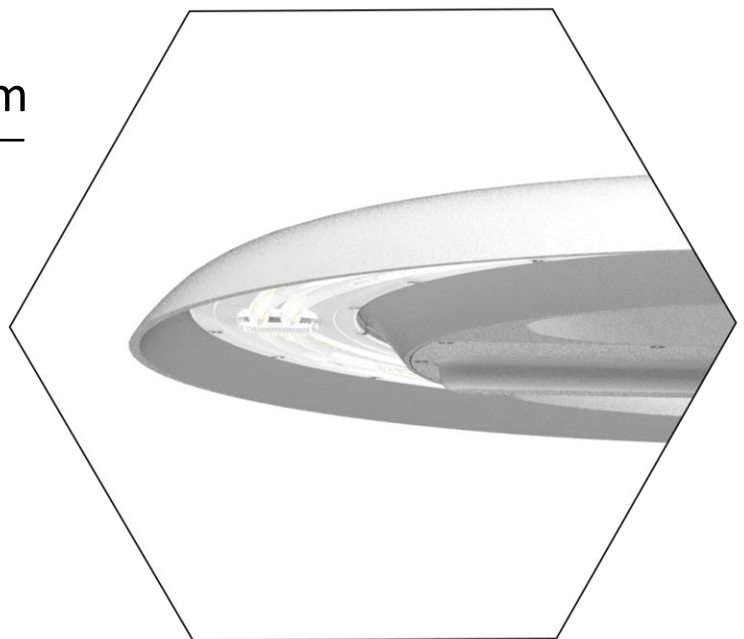
165Lm/w lighting output

▶ IP66

Integrated design protect the light from water & dirt

▶ High robustness

Provide long-term lighting



2

Parameters

WATTAGE	30/50/80/100/150/200/240W
LAMP EFFICIENCY	165LM/W
CRI	Ra>70/80
CCT	2700-6500K
RATED VOLTAGE	AC 100-240V 277V~,50/60Hz
POWER FACTOR	>0.95
BEAM ANGLE	60°/90°/120°
IP GRADE	IP66
OPERATING TEMP	-40°C~60°C
POLE SIZE	60/80mm



GTS On Top-30W

4,950LM
3.6kg
φ380*162mm

GTS On Top-50W

8,250LM
3.6kg
φ380*162mm

GTS On Top-80W

13,200LM
4.0kg
φ380*162mm

GTS On Top-100W

16,500LM
4.1kg
φ 380*162mm

GTS On Top-150W

24,750LM
4.2kg
φ380*162mm

GTS On Top-200W

33,000LM
6.0kg
φ500*168mm

GTS On Top-240W

39,600LM
6.0kg
φ 500*168mm

3

Application



1. Unique appearance, stylish decoration for your public space.

2. Annular luminous surface, efficient and comfortable lighting.

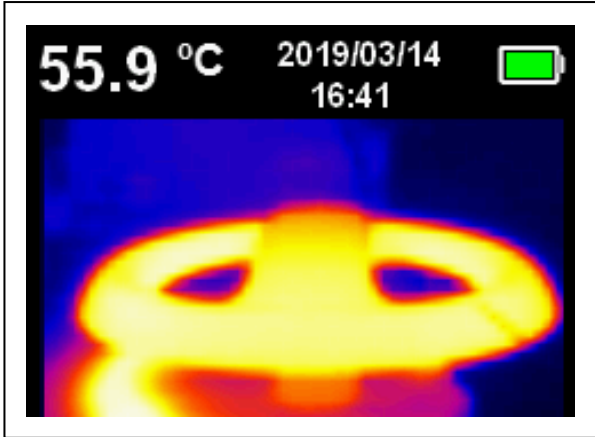
3. All aluminum body resists corrosion and age well.

4. Smooth curve surface gather no dirt/leaf/snow/ice, self-cleaning with the assistants of wind and rain.

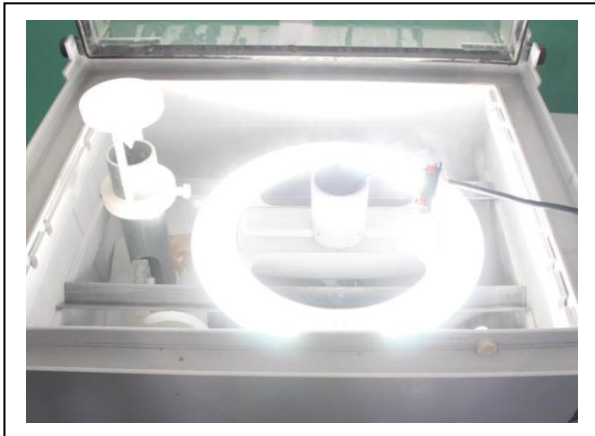
4

Testing

- Temperature Rise Test



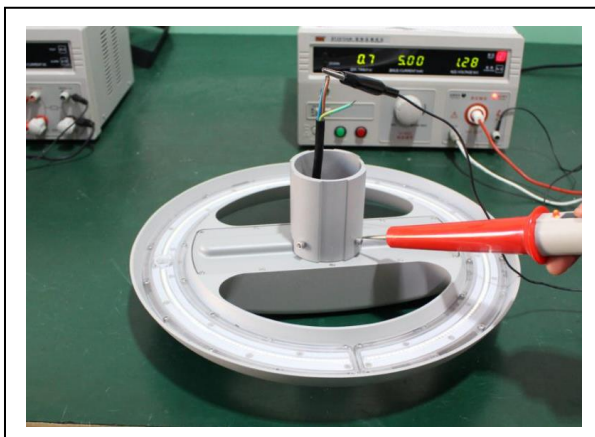
- Salt Spray Test



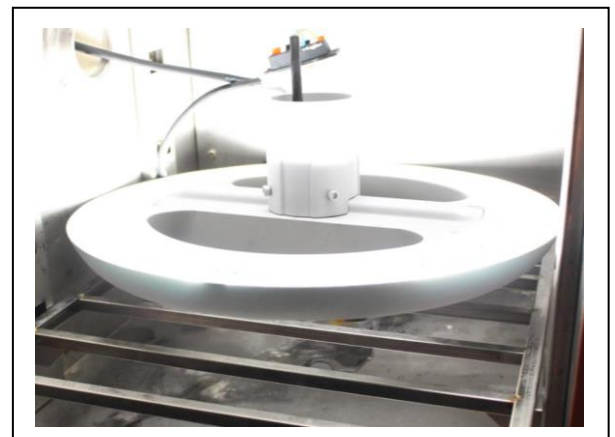
- Vibration Test

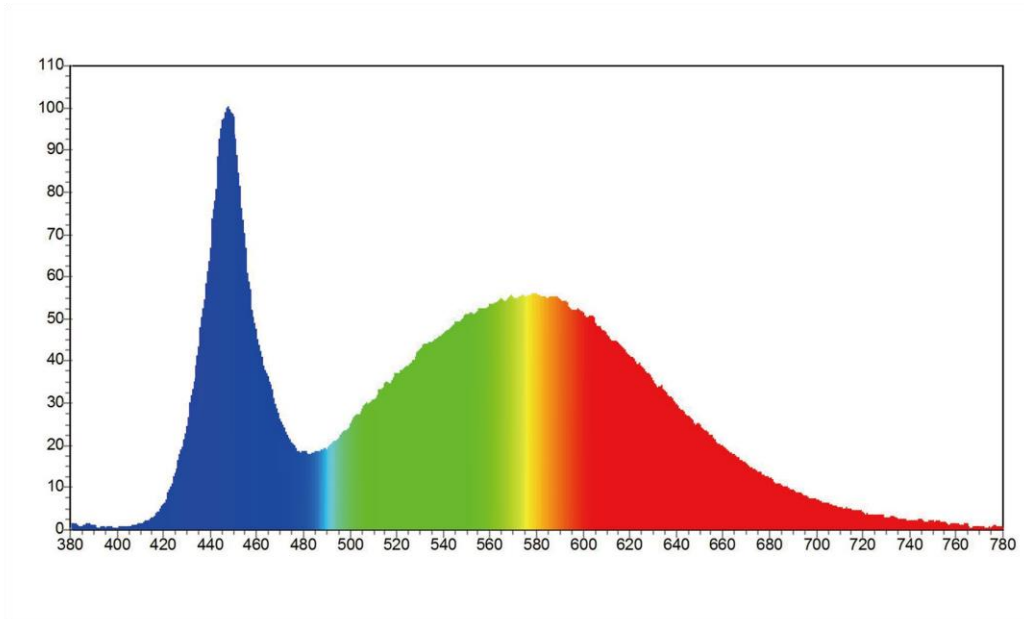


- Withstand Voltage Test



- High-Low Temperature Test

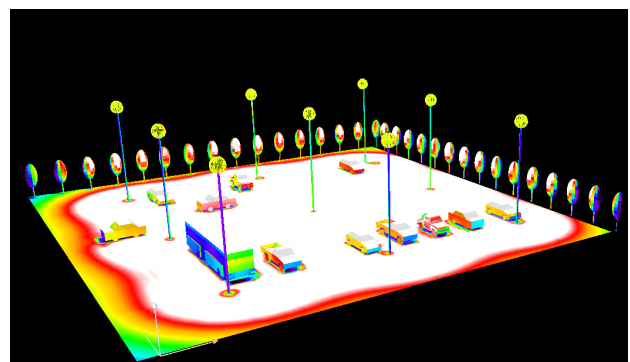
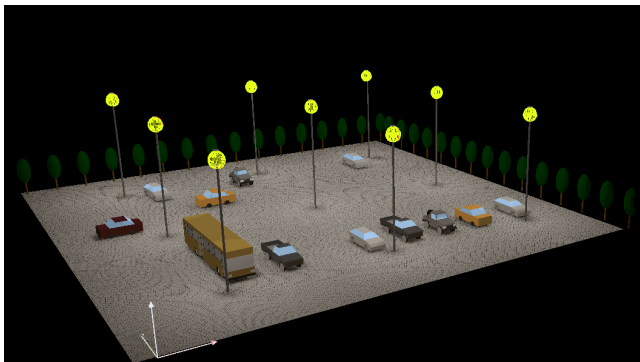
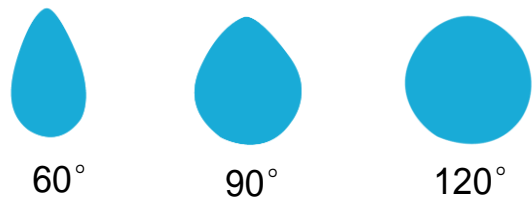




Spectrum Parameters				
x: 0.3393	y: 0.3504	R1: 80.1	R2: 84.8	R3: 85.7
u: 0.2080	v: 0.3221	R4: 80.1	R5: 80.1	R6: 76.1
WD: 566.5 nm	WP: 447.5nm	R7: 81.8	R8: 67.3	R9: 7.1
HW: 23.0 nm	Purity: 0.069	R10: 60.8	R11: 78.2	R12: 58.8
CCT: 5224 K	Ra: 79.5	R13: 80.0	R14: 91.6	R15: 77.8
DUV: 0.0018		R%: 26.9	G%: 43.1	B%: 30.0
Kred 18.71%	Kgreen 76.09%	Kblue 5.20%		
Electrical				
Flux: 33242.298 lm		P: 165.797 lm/w		P: 4247.19 mw
I: 906.4 mA	V: 221.20 V		P: 200.5 w	PF: 0.9650

5 Light Distribution

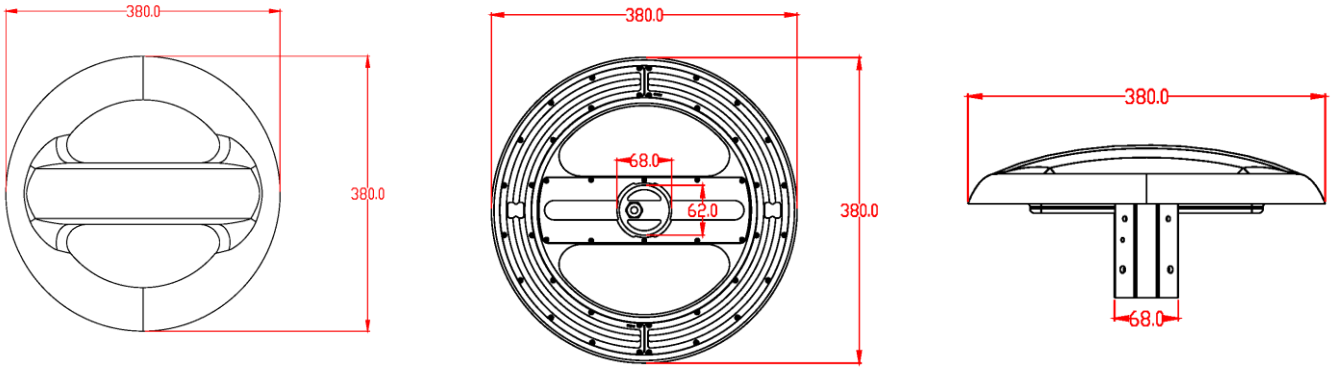
60° /90° /120° available



6

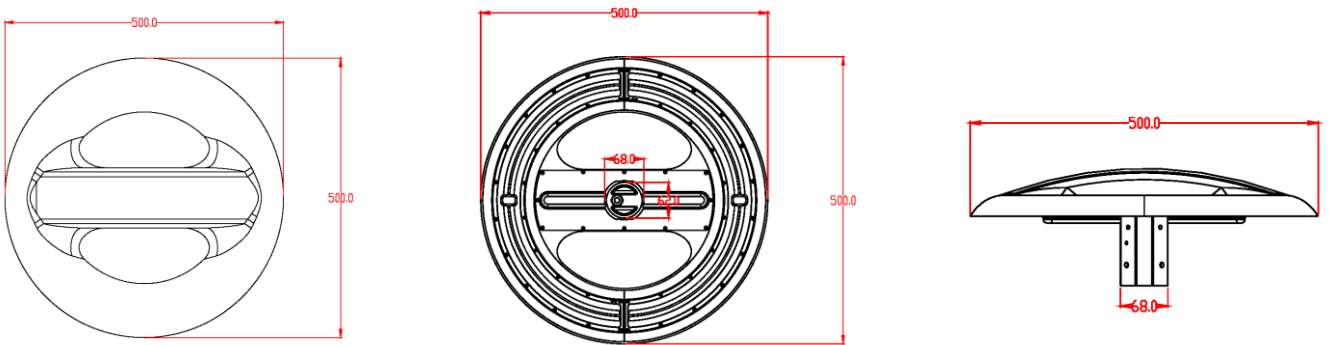
Package

Type A: 380mm series



Wattage	Net Weight	Size of Box	Cross Weight	Size of Carton	Gross Weight	Box Quantity / Carton
GTS On Top-30W	3.6kg	44x43x19cm	6.0kg	45x45x77cm	22.5kg	4
GTS On Top-50W	3.6kg	44x43x19cm	6.0kg	45x45x77cm	22.5kg	4
GTS On Top-80W	4.0kg	44x43x19cm	6.0kg	45x45x77cm	24.0kg	4
GTS On Top-100W	4.1kg	44x43x19cm	6.5kg	45x45x77cm	24.5kg	4
GTS On Top-150W	4.2kg	44x43x19cm	6.5kg	45x45x77cm	24.5kg	4

Type B: 500mm series



Wattage	Net Weight	Size of Box	Cross Weight	Size of Carton	Gross Weight	Box Quantity / Carton
GTS On Top-200W	6.0kg	57x57x20cm	9.0kg	58x58x79cm	36.0kg	4
GTS On Top-240W	6.0kg	57x57x20cm	9.0kg	58x58x79cm	36.0kg	4

