

VOC-GTS On Top 50W 165LM/W

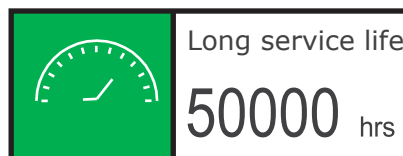
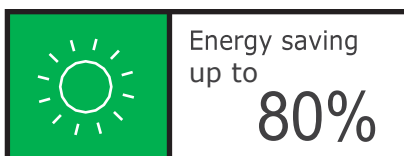


Features:

- High lumen
- Rust resistant
- Unique Design
- Hydrophobic surface
- IP Grade: IP66

Areas of application:

Parking lot, playground, square, park, highway, greenbelt golf course, and etc.



1 Parameter



Wattage	CRI	Power Factor
50W	Ra>70/80	>0.95
Operating Temp	IP Grade	Luminous Flux
-40°C ~ 55°C	IP66	8,250LM
Beam Angle	Rated Voltage	
60°/90°/120°	AC 100-240V 277~, 50/60Hz	

2 Beam angle

Multiple angles are available.



60°

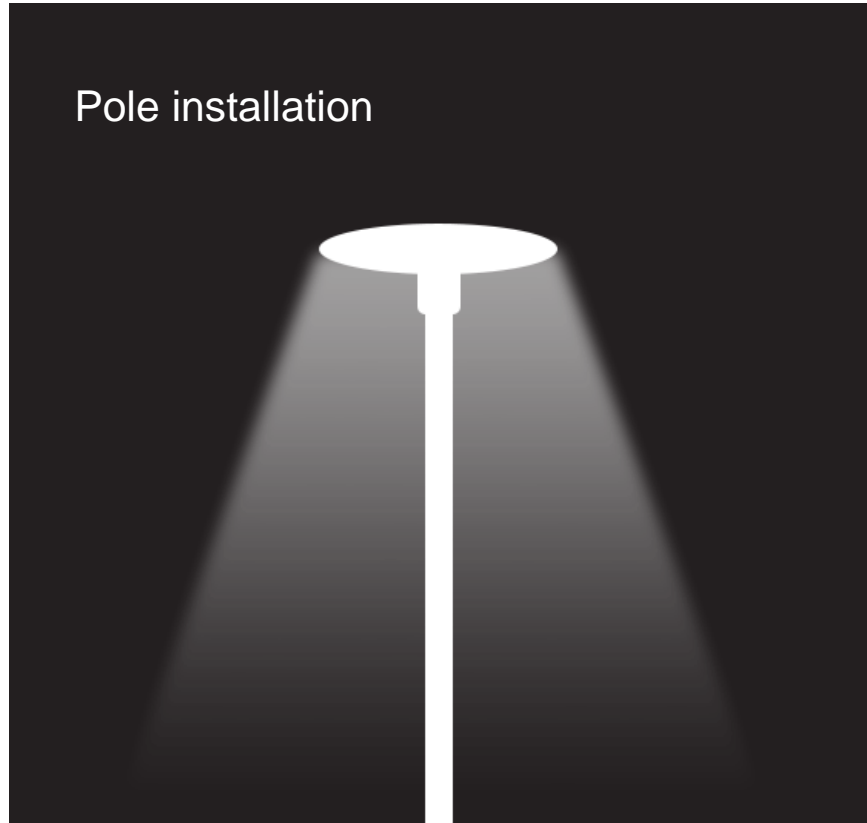


90°

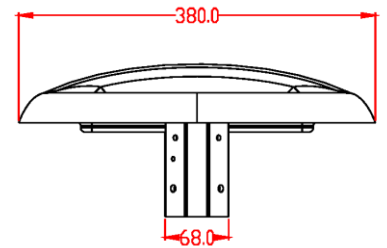
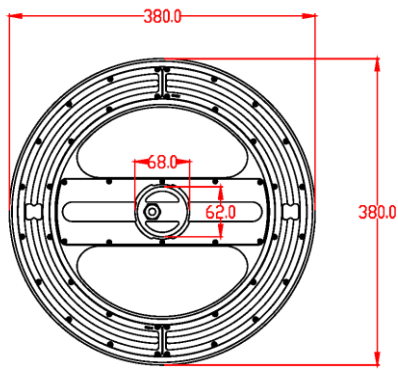
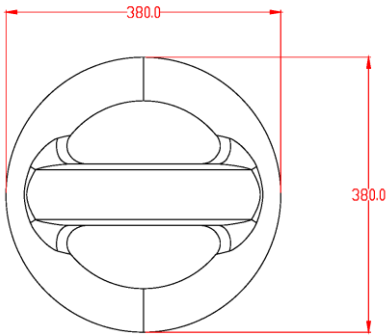


120°

3 Installation



4 Dimensions



5 Packaging

Net Weight	Size of Box	Weight of Box	Size of Carton	Gross Weight of Carton	Box PCS / Carton
3.6KG	44*43*19cm	4.4KG	45*45*77cm	18.4KG	4