

## Amstel-Lux 30W 165LM/W

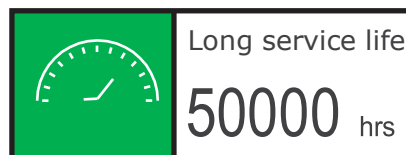
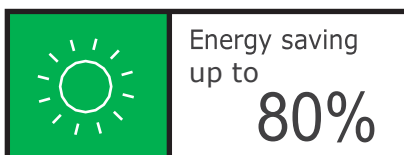


### Features:

- High lumen
- Split Cooling System
- Low Wind Resistance Design
- NEMA Socket Compatible
- IP66 & IK10 & 10KV

### Areas of application:

Street / Community Street / Parking Lot / Public Area /  
Outdoor Billboard / Park



**RoHS**

# 1 Parameter

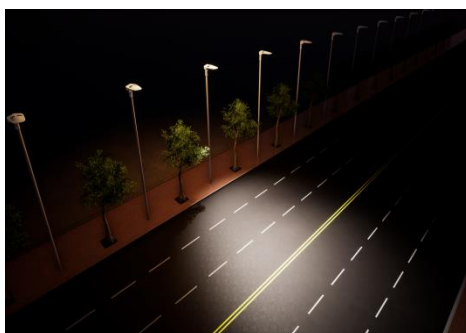


Wattage	CRI	Power Factor
30W	Ra>70/80	>0.95
Operating Temp	IP Grade	Luminous Flux
-40°C ~ 60°C	IP66	4,950LM
Beam Angle	Rated Voltage	
G7/G7-FT/G7-UW	AC100-240V 277V~, 50/60Hz	

# 2 Beam angle



G7

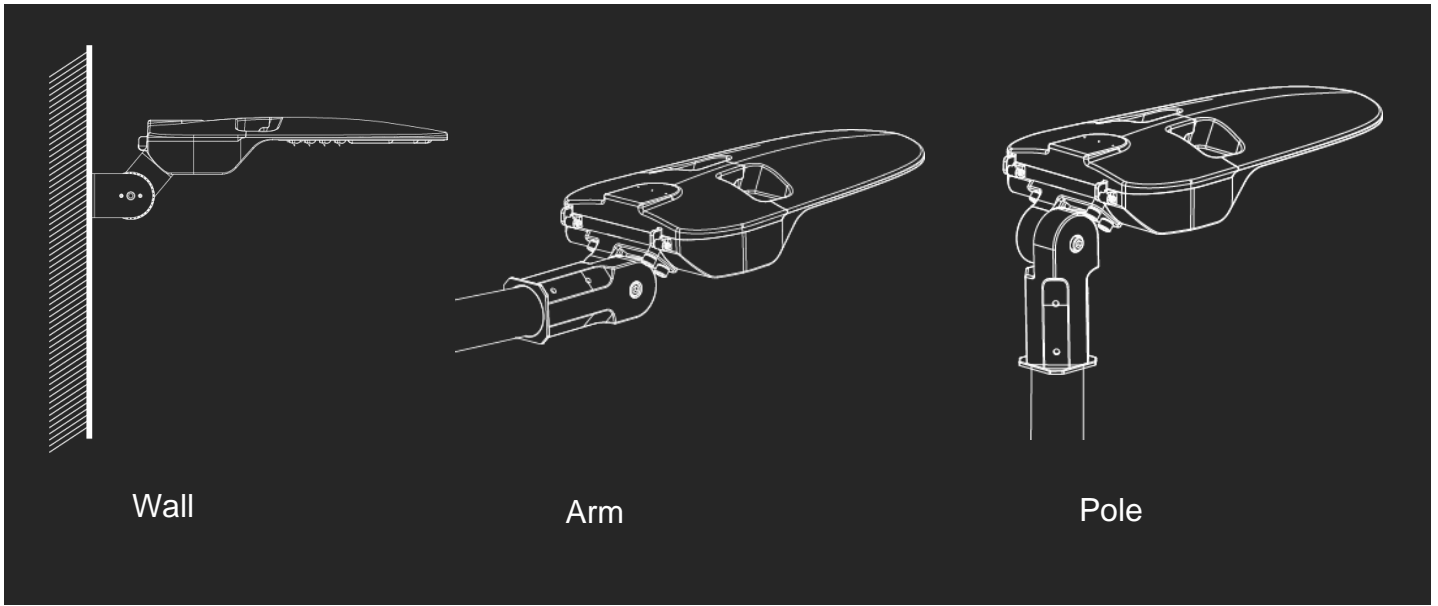


G7-FT  
(Forward Throw)

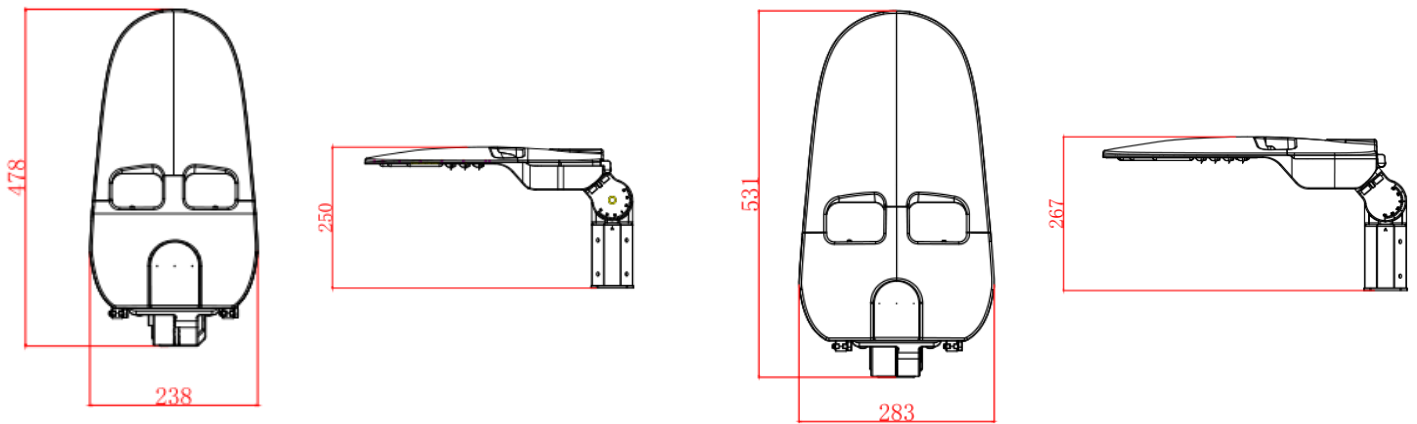


G7-UW  
(Ultra Wide)

### 3 Installation



### 4 Dimensions



### 5 Packaging

Net Weight	Product Size	Size of Box	Cross Weight
4.6KG	478x238x250mm	550*310*235m	6.1KG